

88 PL100  
15 WAY R-ANGLE DRANGE PLUG

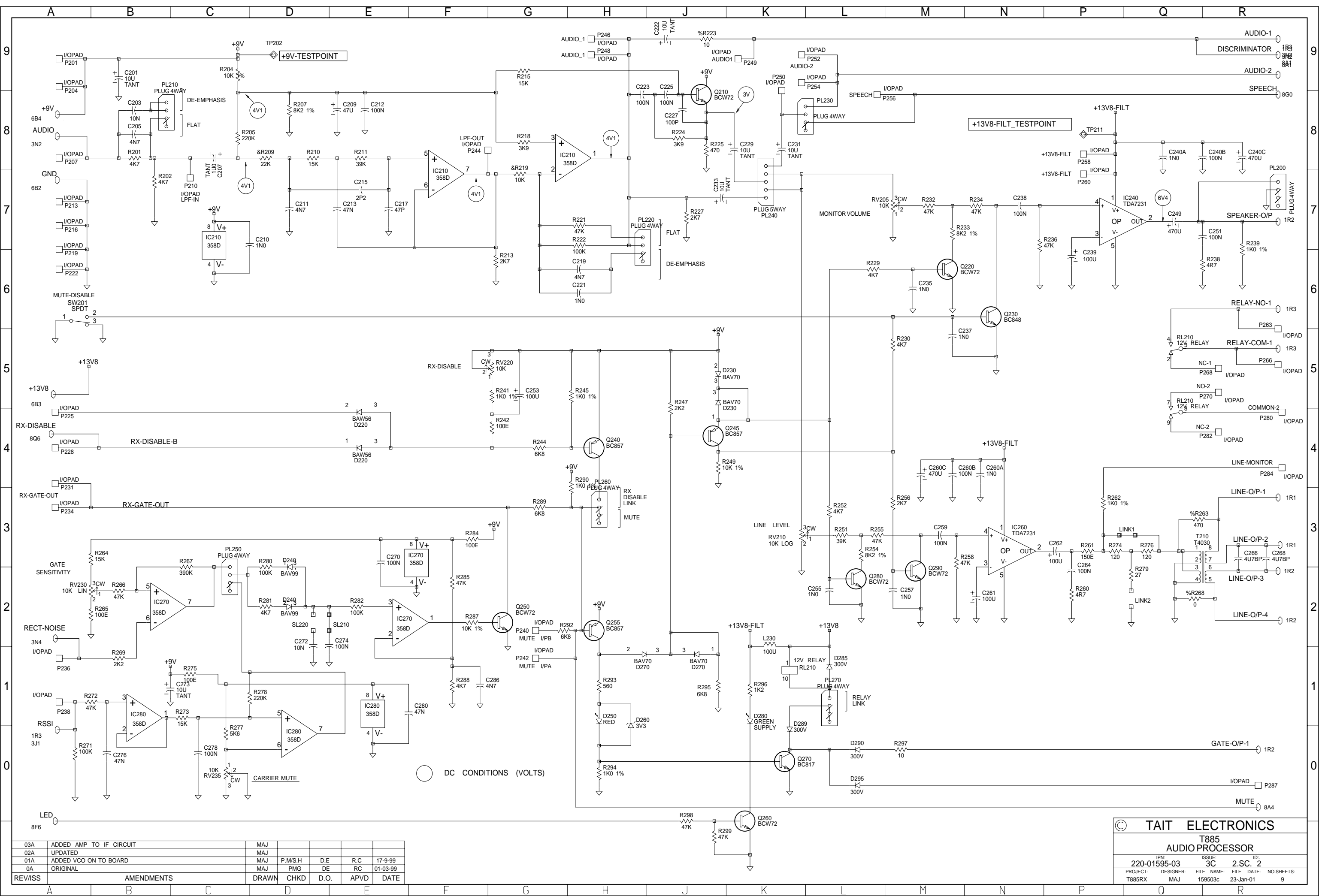
THOLE HOLE TSLLOT SLOT  
TOPFIDA FIDUCIAL TOPFIDB FIDUCIAL

PRODUCT INDICATORS								
-10	-13	-15	-20	-23	-25	-30	-35	-
T88510 2K2	T88513 2K2	T88515 2K2	T88520 2K2	T88523 2K2	T88525 2K2	T88530 2K2	T88535 2K2	T885_2K2

DGND & GND ARE CONNECTED THROUGH R617 ON SHEET 6

REV/ISS	AMENDMENTS	DRAWN	CHKD	D.O.	APVD	DATE
03A	ADDED AMP TO IF CIRCUIT	MAJ				
02A	UPDATED	MAJ				
01A	ADDED VCO ON TO BOARD	MAJ	P.M/S.H	D.E	R.C	17-9-99
0A	ORIGINAL	MAJ	PMG	DE	RC	01-03-99

© TAIT ELECTRONICS			
T885 RECEIVER			
IPN: 220-01595-03	ISSUE: 3C	ID: 2.S.C. 1	
PROJECT: T885RX	DESIGNER: MAJ	FILE NAME: 159503c	FILE DATE: 23-Jan-01
			NO.SHEETS: 9

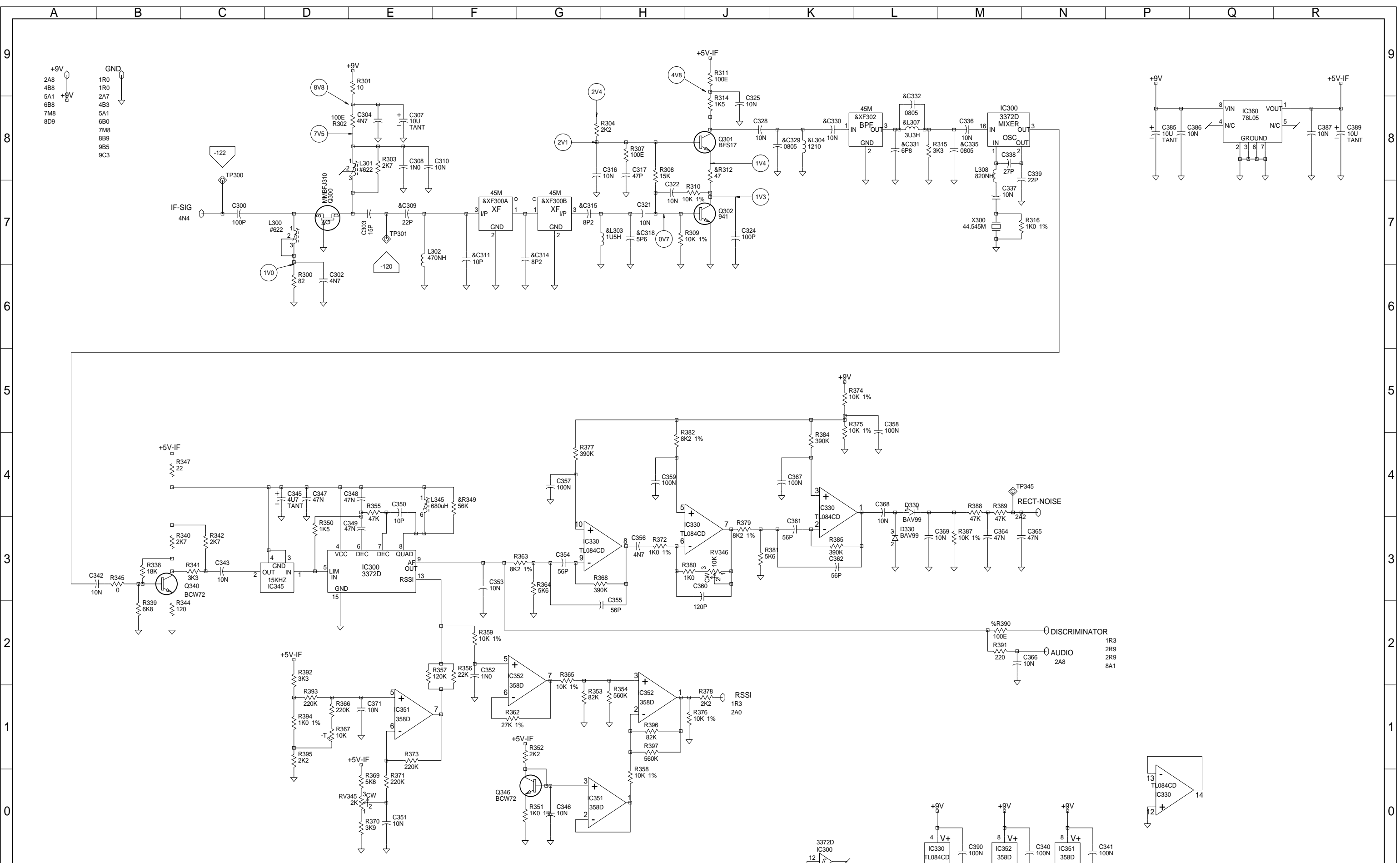


REV/ISS	AMENDMENTS	DRAWN	CHKD	D.O.	APVD	DATE
03A	ADDED AMP TO IF CIRCUIT	MAJ				
02A	UPDATED	MAJ				
01A	ADDED VCO ON TO BOARD	MAJ	P.M/S.H	D.E	R.C	17-9-99
0A	ORIGINAL	MAJ	PMG	DE	RC	01-03-99

© TAIT ELECTRONICS

**T885**  
AUDIO PROCESSOR

IPN: 220-01595-03	ISSUE: 3C	ID: 2.S.C. 2
PROJECT: T885RX	DESIGNER: MAJ	FILE NAME: 159503c
	FILE DATE: 23-Jan-01	NO.SHEETS: 9



REV/ISS	AMENDMENTS	DRAWN	CHKD	D.O.	APVD	DATE
03A	ADDED AMP TO IF CIRCUIT	MAJ				
02A	UPDATED	MAJ				
01A	ADDED VCO ON TO BOARD	MAJ	P.M/S.H	D.E	R.C	17-9-99
0A	ORIGINAL	MAJ	PMG	DE	RC	01-03-99

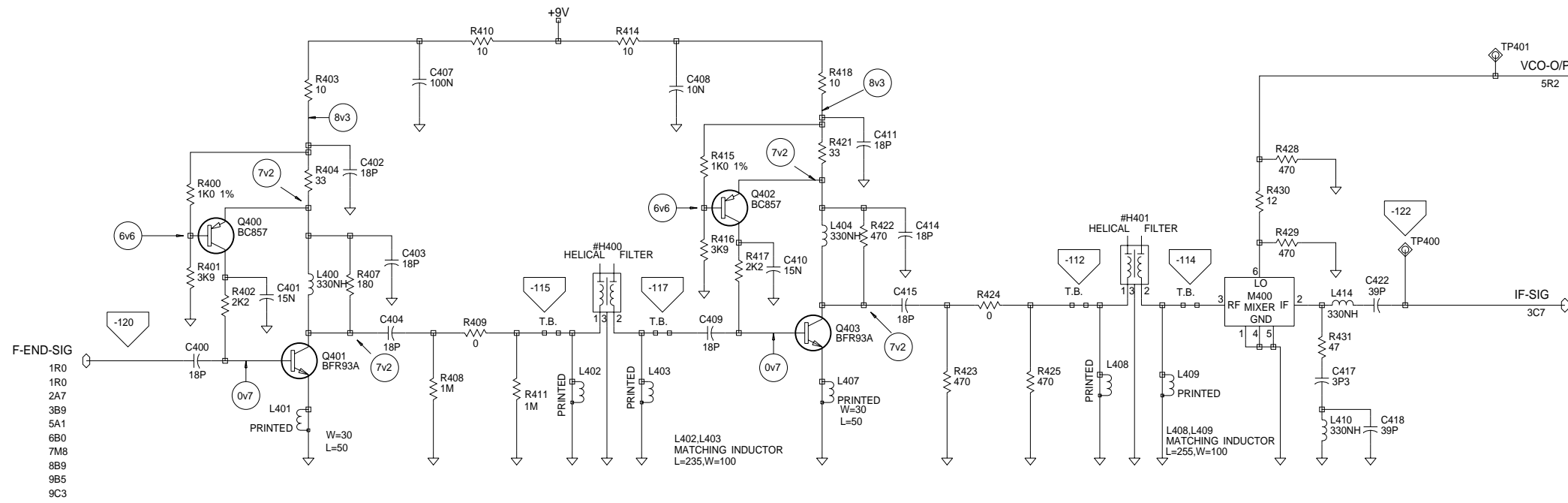
© TAIT ELECTRONICS

T885  
IF

IPN: 220-01595-03    ISSUE: 3C    ID: 2.S.C. 3

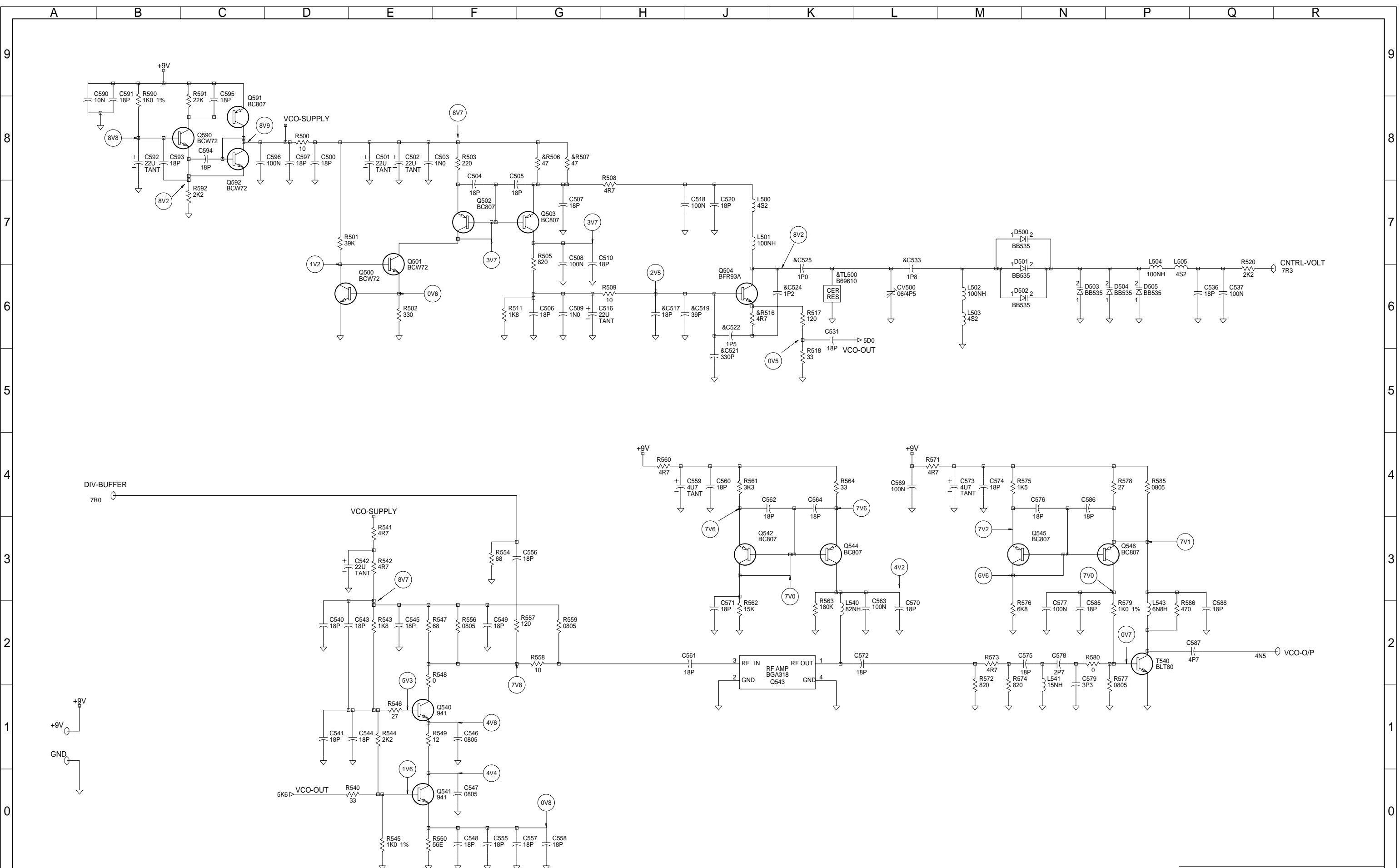
PROJECT: T885RX    DESIGNER: MAJ    FILE NAME: 159503c    FILE DATE: 23-Jan-01    NO.SHEETS: 9

+9V	GND
2A8	1R0
3A9	1R0
5A1	2A7
6B8	3B9
7M8	5A1
8D9	6B0
	7M8
	8B9
	9B5
	9C3



03A	ADDED AMP TO IF CIRCUIT	MAJ				
02A	UPDATED	MAJ				
01A	ADDED VCO ON TO BOARD	MAJ	P.M/S.H	D.E	R.C	17-9-99
0A	ORIGINAL	MAJ	PMG	DE	RC	01-03-99
REV/ISS	AMENDMENTS	DRAWN	CHKD	D.O.	APVD	DATE

© TAIT ELECTRONICS			
T885 FRONT END			
IPN: 220-01595-03	ISSUE: 3C	ID: 2.S.C. 4	
PROJECT: T885RX	DESIGNER: MAJ	FILE NAME: 159503c	FILE DATE: 23-Jan-01
			NO.SHEETS: 9



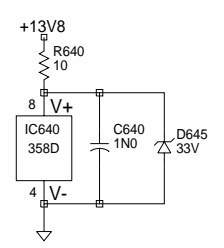
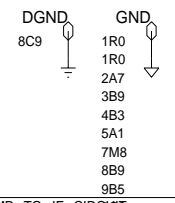
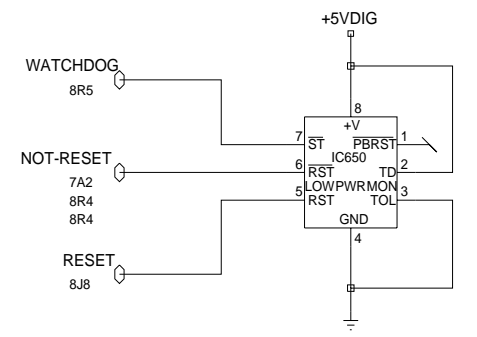
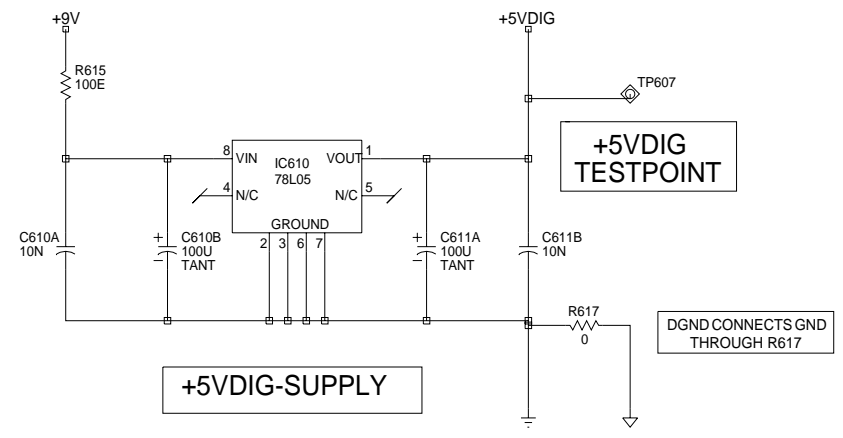
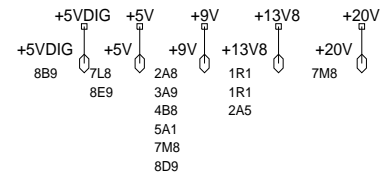
03A	ADDED AMP TO IF CIRCUIT	MAJ				
02A	UPDATED	MAJ				
01A	ADDED VCO ON TO BOARD	MAJ	P.M/S.H	D.E	R.C	17-9-99
0A	ORIGINAL	MAJ	PMG	DE	RC	01-03-99
REV/ISS	AMENDMENTS	DRAWN	CHKD	D.O.	APVD	DATE

© TAIT ELECTRONICS

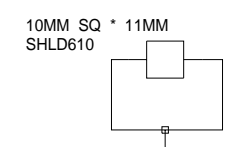
T885  
VCO

IPN: 220-01595-03    ISSUE: 3C    ID: 2.SC. 5

PROJECT: T885RX    DESIGNER: MAJ    FILE NAME: 159503c    FILE DATE: 23-Jan-01    NO.SHEETS: 9

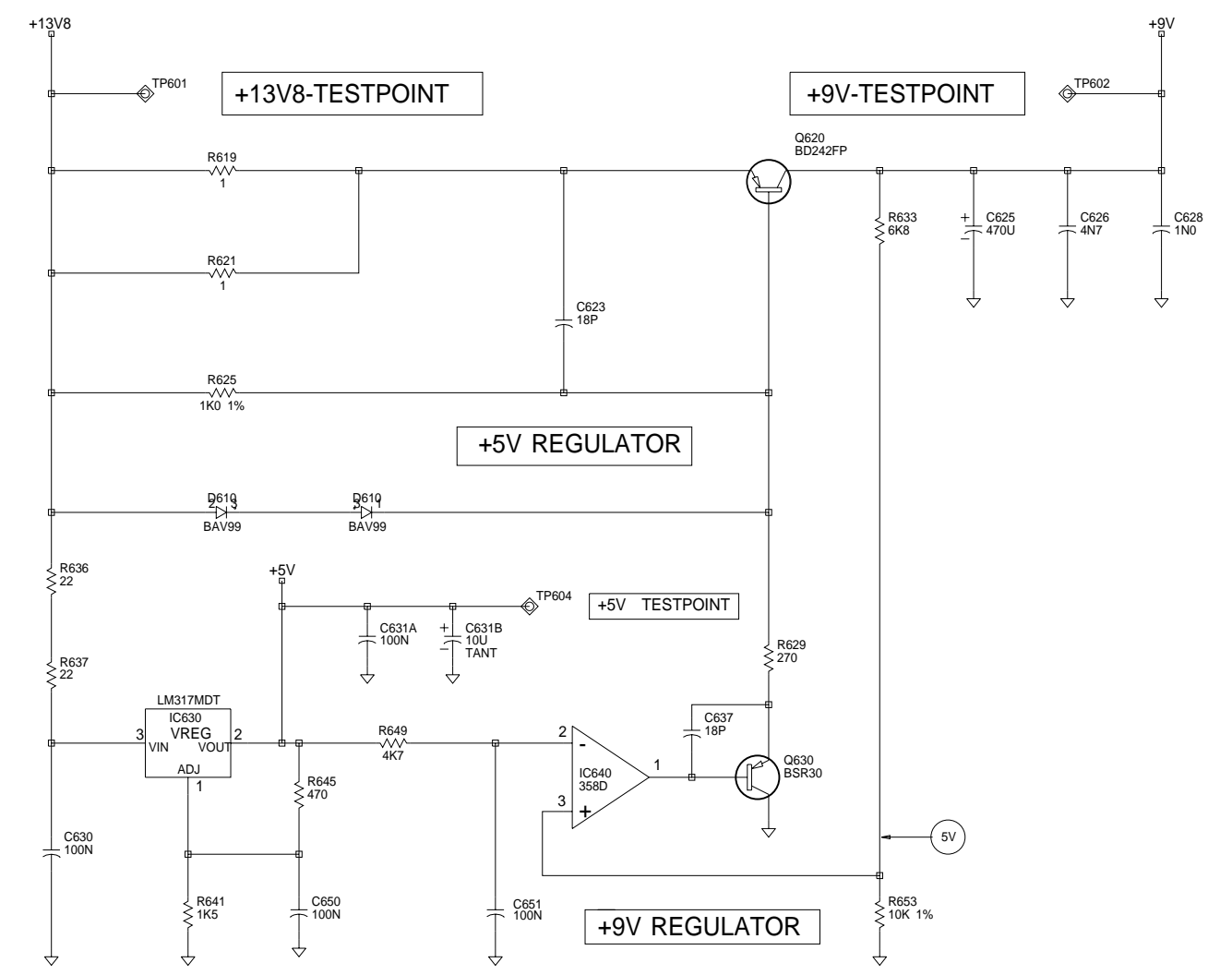
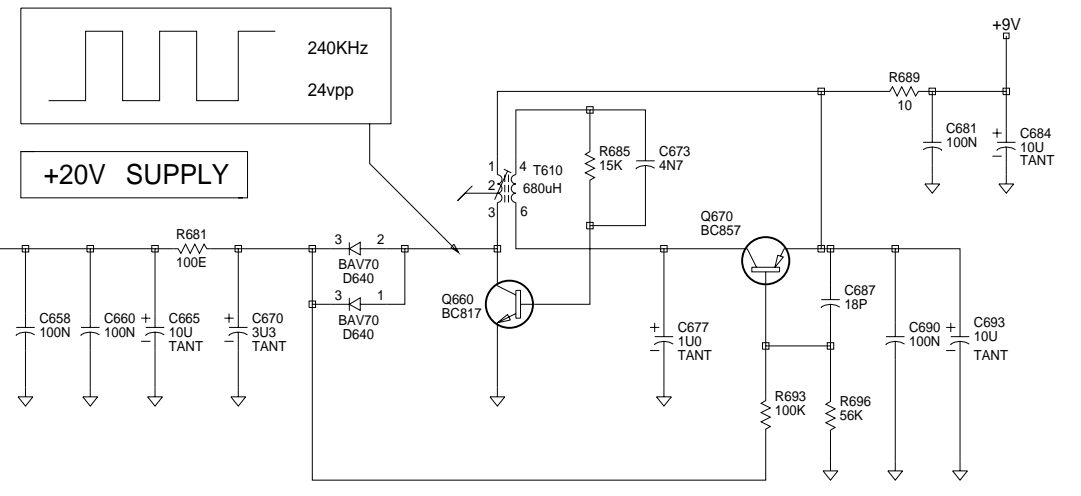


CAN TO SHIELD T610



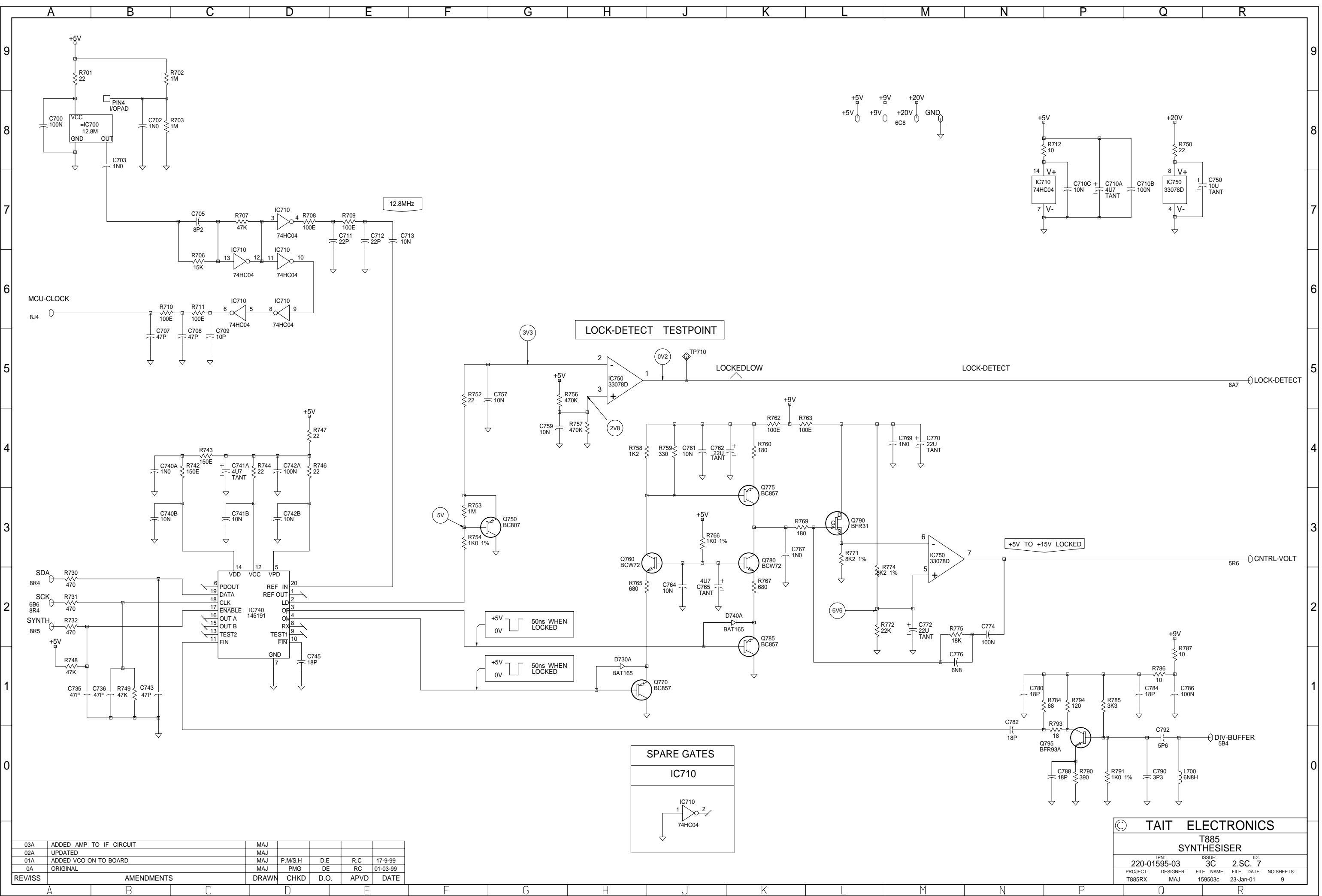
+20V TESTPOINT

+20V SUPPLY



03A	ADDED AMP TO IF CIRCUIT	MAJ				
02A	UPDATED	MAJ				
01A	ADDED VCO ON TO BOARD	MAJ	P.M/S.H	D.E	R.C	17-9-99
0A	ORIGINAL	MAJ	PMG	DE	RC	01-03-99
REV/ISS	AMENDMENTS	DRAWN	CHKD	D.O.	APVD	DATE

© TAIT ELECTRONICS			
T885 REGULATOR			
IPN: 220-01595-03	ISSUE: 3C	ID: 2.S.C. 6	
PROJECT: T885RX	DESIGNER: MAJ	FILE NAME: 159503c	FILE DATE: 23-Jan-01
		NO.SHEETS: 9	



03A	ADDED AMP TO IF CIRCUIT	MAJ				
02A	UPDATED	MAJ				
01A	ADDED VCO ON TO BOARD	MAJ	P.M/S.H	D.E	R.C	17-9-99
0A	ORIGINAL	MAJ	PMG	DE	RC	01-03-99
REV/ISS	AMENDMENTS	DRAWN	CHKD	D.O.	APVD	DATE

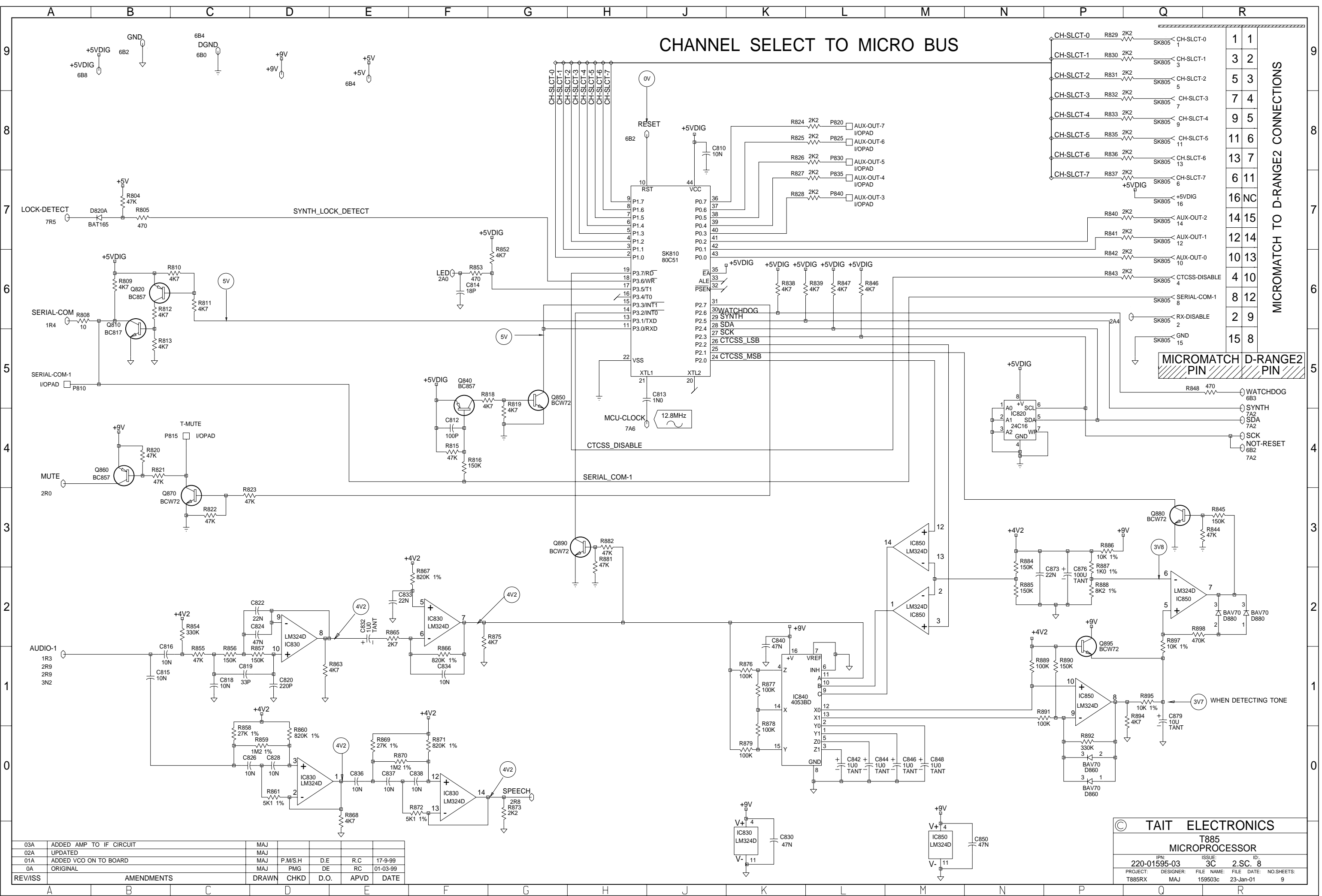
© TAIT ELECTRONICS

T885 SYNTHESISER

IPN: 220-01595-03 ISSUE: 3C ID: 2.S.C. 7

PROJECT: T885RX DESIGNER: MAJ FILE NAME: 159503c FILE DATE: 23-Jan-01 NO.SHEETS: 9

# CHANNEL SELECT TO MICRO BUS



MICROMATCH TO D-RANGE2 CONNECTIONS	
1	1
3	2
5	3
7	4
9	5
11	6
13	7
6	11
16	NC
14	15
12	14
10	13
4	10
8	12
2	9
15	8

MICROMATCH D-RANGE2 PIN

REV/ISS	AMENDMENTS	DRAWN	CHKD	D.O.	APVD	DATE
03A	ADDED AMP TO IF CIRCUIT	MAJ				
02A	UPDATED	MAJ				
01A	ADDED VCO ON TO BOARD	MAJ	P.M/S.H	D.E	R.C	17-9-99
0A	ORIGINAL	MAJ	PMG	DE	RC	01-03-99

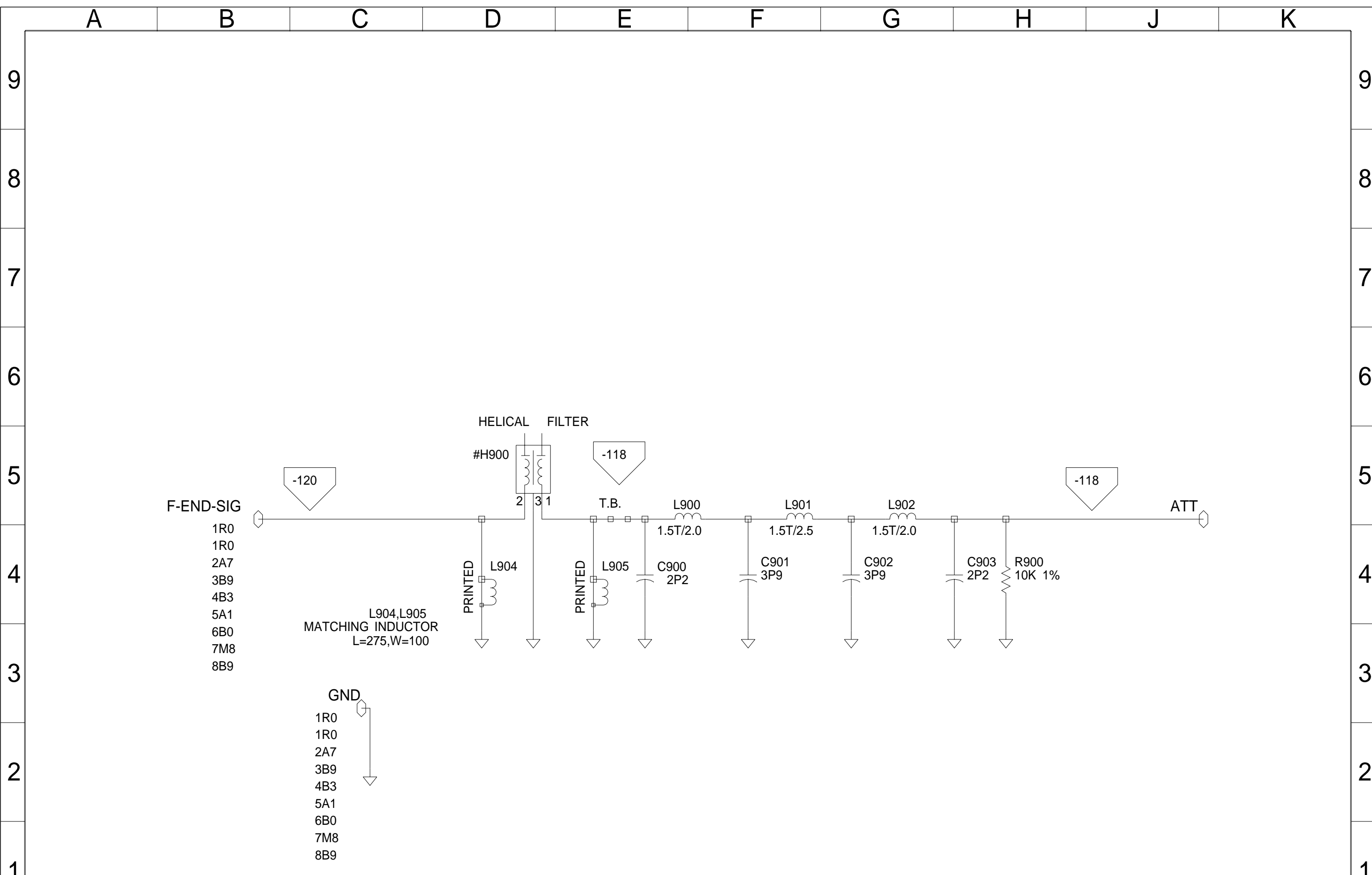
© TAIT ELECTRONICS

T885 MICROPROCESSOR

IPN: 220-01595-03 ISSUE: 3C ID: 2.S.C. 8

PROJECT: T885RX DESIGNER: MAJ FILE NAME: 159503c FILE DATE: 23-Jan-01 NO.SHEETS: 9





F-END-SIG  
 1R0  
 1R0  
 2A7  
 3B9  
 4B3  
 5A1  
 6B0  
 7M8  
 8B9

L904,L905  
 MATCHING INDUCTOR  
 L=275,W=100

GND  
 1R0  
 1R0  
 2A7  
 3B9  
 4B3  
 5A1  
 6B0  
 7M8  
 8B9

HELICAL FILTER

#H900  
 2 3 1  
 PRINTED L904  
 PRINTED L905  
 T.B.  
 C900 2P2

L900 1.5T/2.0  
 C901 3P9  
 L901 1.5T/2.5  
 C902 3P9  
 L902 1.5T/2.0  
 C903 2P2  
 R900 10K 1%

-118

ATT

03A	ADDED AMP TO IF CIRCUIT	MAJ				
02A	UPDATED	MAJ				
01A	ADDED VCO ON TO BOARD	MAJ	P.M/S.H	D.E	R.C	17-9-99
0A	ORIGINAL	MAJ	PMG	DE	RC	01-03-99
REV/ISS	AMENDMENTS	DRAWN	CHKD	D.O.	APVD	DATE

© TAIT ELECTRONICS

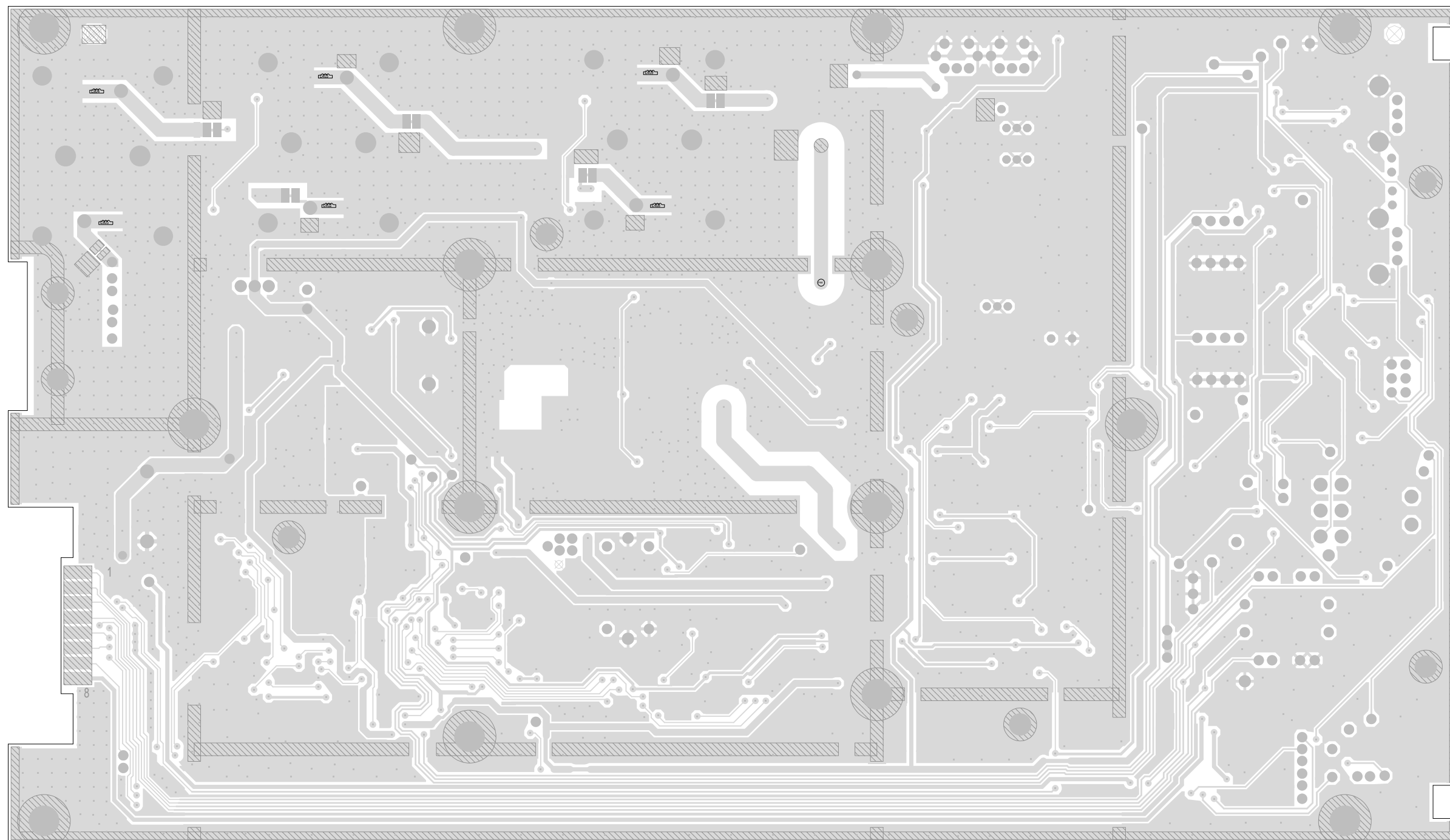
T885  
 HARMONIC FILTER

IPN: 220-01595-03    ISSUE: 3C    ID: 2.SC. 9

PROJECT: T885RX    DESIGNER: MAJ    FILE NAME: 159503c    FILE DATE: 23-Jan-01    NO.SHEETS: 9

A B C D E F G H J K





Q P N M L K J H G F E D C B A

9  
8  
7  
6  
5  
4  
3  
2  
1

TAIT ELECTRONICS	IPN: 220-01595-03	ISS: C	ID: 2.BA	DATE: 24 Jan 2001
885 RECEIVER PCB LAYOUT - BOTTOM SIDE				

Scale: 1.2:1 ; Rotation: 0 degrees